

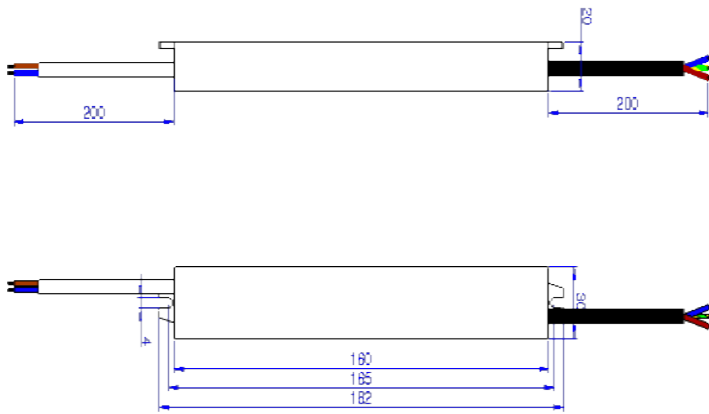
# 30W IP67 WEATHERPROOF LED DRIVER



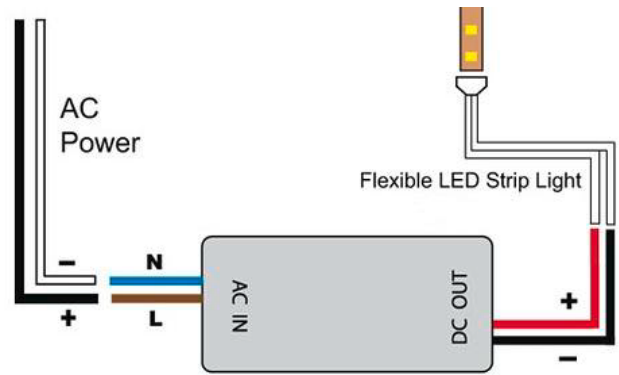
## TECHNICAL

Material	Aluminium
Input Voltage	240v AC
Output Voltage	12v DC
Output Power	30w
No. Output Cables	1
Wiring	Parallel
IP Rating	IP67
Dimmable	No
Warranty	2 Years Replacement

## DIMENSIONS



## SAMPLE INSTALLATION DIAGRAM



\*Recommended maximum Load of 24w (80%)

## COMPATIBLE WITH



All Low Voltage Light Fittings and LED Strip



IP RATING

APPROVAL



## PRODUCT ORDERING

Image	Part Number	OUTPUT VOLTAGE
	TLI-U12PS-30W-WP	12V DC

# 30W IP67 WEATHERPROOF LED DRIVER

MODEL		TLI-U12PS-30W-WP
OUTPUT	DC VOLTAGE	12V
	RATED CURRENT	2.5A
	CURRENT RANGE	0~2.5A
	RATED POWER	30W
	RIPPLE&NOISE(max)	<240mV
	VOLTAGE TOLERANCE	±0.5V
INPUT	VOLTAGE RANGE	90~265VAC
	FREQUENCY RANGE	47~63Hz
	POWER FACTOR(Typ.)	0.6
	EFFICIENCY(Typ.)	82%
	AC CURRENT(Typ.)	0.22A/220VAC
PROTECTION	Short circuit	Protection type:Hiccp mode,recovers automatically after condition is removed
	Overload	3.9A
ENVIRONMENT	WORKING TEMP.	-30~+50°C (Refer to output load derating curve)
	INGRESS PROTECTION	IP67 design for indoor or outdoor installations
	STORAGE TEMP	-40~+80°C
SAFETY&EMC	SAFETY STANDARDS	EN61347-1;EN61347-2-13;SELV;IP67 approved
	WITHSTAND VOLTAGE	I/P-O/P:2KVAC I/P-FG:2KVAC O/P-FG:0.5KVAC
	EMC Test Standards	
NOTE	1.All parameters NOT specially mentioned are measured at 220VAC input,rated load and 25°C of ambient temperature. 2.Ripple&noise are measured at 20MHz of bandwidth by using a 12" twisted pair-wire terminated with a 0.1uf&47uf parallel capacitor. 3.Tolerance:includes set up tolerance,line regulation and load regulation.	

## Others

DIMENSION	182×30×20mm(L×W×H)
CARTON QUANTITY	50pcs/carton
CARTON SIZE	324×214×188mm
WEIGHT	0.20Kg/pcs

## Derating Curve

